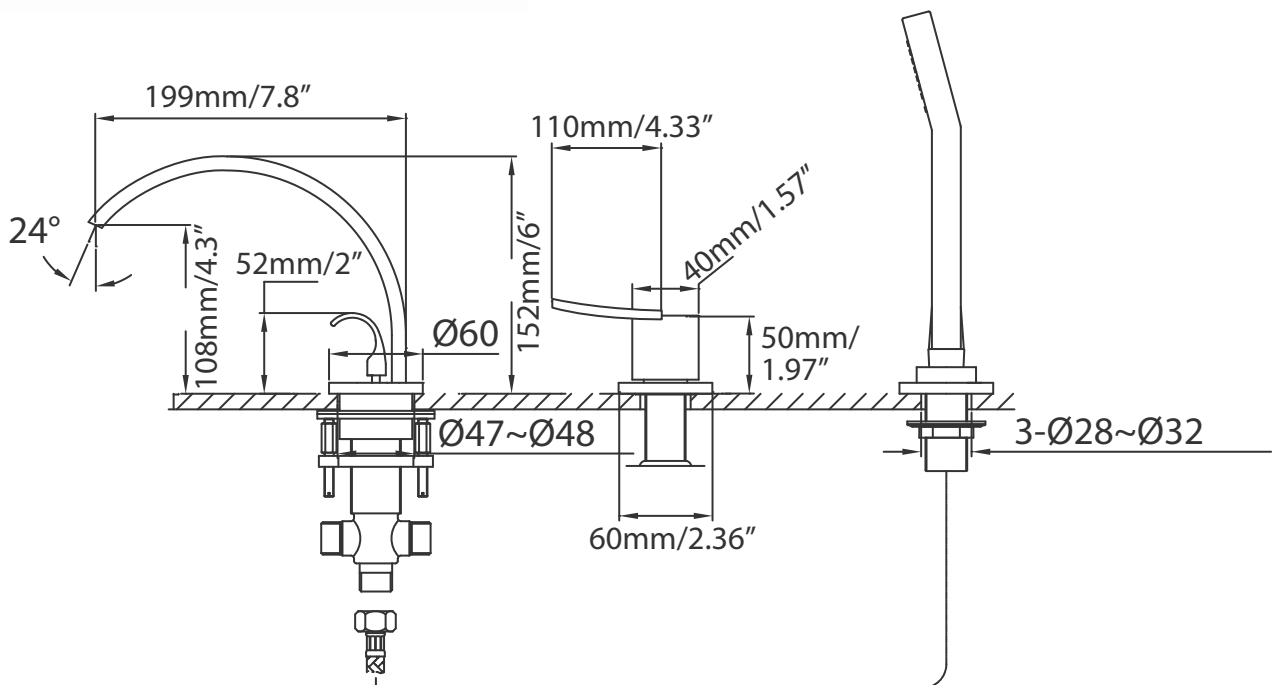


Affordable Luxury

Single Lever 3-Hole
Roman Bath Filler



Finish	Net Weight	Gross Weight (kgs)	Shipping Dimensions
Chrome			

Customer Service Call
Toll Free: 1.877.398.8827
Web Site: www.valleyacrylic.com
Email: purchasing@valleyacrylic.com
Fax: 604.820.0124

Complies with CSA Standards
Measurements may vary ± 5 mm
(Diagram not to scale)